



Client:	
Order #:	
Project:	
Type:	

## DESCRIPTION

This advanced troffer retrofit kit easily converts 2x4 Fluorescent troffers to the most current LED lighting technology. With a very high efficiency and optional controls this completely pre-assembled kit can provide excellent energy savings over legacy troffers. With an install time around 1 minute, these kits reduce labor costs and increase the ROI for end users. Perfect for interior applications such as: offices, retail, healthcare, education and hospitality projects.

## FEATURES

- Field selectable 3500K, 4000K, and 5000K CCTs
- CRI > 80, R9 >0
- Frosted Diffuser Lens reduces glare and increases visual comfort
- Optional integral sensor options for PIR Occupancy, Daylight Harvesting, Luminaire Level Lighting Control (LLLC) and Bi-Level operation. Choose from various high quality sensor manufacturers including Lutron and more.
- Programmable driver options including EldoLED (Osram) Optotronic drivers.
- Universal 120-277 AC voltage (50-60Hz) is standard.
- (0-10V Dimmable using compatible driver) with 1%-100% Dimming and Dim-to-off options for some configurations.
- Total harmonic distortion <20%, CRI > 80, R9 >0
- Average rated life L70 of 70,000 hours.

## PERFORMANCE DATA

### EFFICACY

125 - 140+ LPW

### CCT

3500K, 4000K, 5000K CCT

### Projected Lifetime

>70,000 Hours (L70)

### Dimming

0-10V Dimming Standard  
12V Aux, 1%-100% and Dim-to-Off

### Operating Temperature

-20° to 50°C

### Warranty

5 year Standard

## ORDERING INFORMATION

VEKT / \_\_\_\_\_ / \_\_\_\_\_ / \_\_\_\_\_ / \_\_\_\_\_ / \_\_\_\_\_ / \_\_\_\_\_ / \_\_\_\_\_ / \_\_\_\_\_ / \_\_\_\_\_ / \_\_\_\_\_ / \_\_\_\_\_

SERIES      EFFICACY      SIZE      WATTAGE      CCT      VOLTAGE      DRIVER FEATURES      CONTROLS      EMERG.      BUY AMERICA      WARRANTY

FIXTURE SERIES	
VEKT	LED Center Basket Troffer Retrofit Kit
EFFICACY	
STD	Standard Efficacy (130+ Lumens per Watt)
HE	High Efficacy (140+ Lumens per Watt)
SIZE	
1X4	1x4 Nominal Size
2X2	2x2 Nominal Size
2X4	2x4 Nominal Size
WATTAGE*	
30WS	20W, 25W, 30W Select. (2,500 - 3,750 lm)(2x2, 1x4)(STD)
34WS	25W, 30W, 34W Select. (3,125 - 4,250 lm)(2x4)(STD)
35WS	22W, 30W, 35W Select. (3,080 - 4,900 lm)(2x2, 1x4)(HE)
45WS	22W, 35W, 45W Select. (3,080 - 6,300 lm)(2x4)(HE)
PDWS	5W - 50W Programmable (625 - 6,250 lm) <small>(2x4)(40W Max for 2x2, 1x4) (Default Power set to 27W)</small>

\*Delivered Lumens based on 4000K

CCT	
CS	80+ CRI, 35K, 40K, 50K CCT Select.
40	80+ CRI, 40K CCT (PDWS Prog. Driver Only)
VOLTAGE	
UNV	Universal 120-277VAC
DRIVER FEATURES	
10V	0-10V Dimming
12A	12V Aux Power & 0-10V Dimming
99D	1 - 99% Dimming with Dim-to-Off <small>(Use with PDWS Only)</small>
BTA	Blue Tooth Controller/Driver w/ 12V Aux <small>(Not Needed for Sensors with Bluetooth App, MDLPBA)</small>
CONTROLS	
SRB	Sensor Ready Plug'n'Play Bracket
MDLP	Motion PIR Occ. & Daylight Harv., Plug'n'Play
MDLPBA	Motion PIR Occ. & Daylight Harv., Plug'n'Play, Bluetooth App
MDLPN	Motion PIR Occ. & Daylight Harv., Plug'n'Play, Wireless Networked

\*To specify control manufacturer add brand name in parenthesis immediately following control option:  
Example: MDLPN(Lutron)

EMERGENCY BATT. BACKUP	
EM8	8 Watt (900 lm) 90 Min. Emerg. Batt.
EM15	15 Watt (1500 lm) 90 Min. Emerg. Batt.
BUY AMERICA	
-	Standard Overseas Production
TAA	Trade America Act Compliant
WARRANTY	
-	5 Year Warranty (Standard)
10Y	10 Year Warranty
10YL	10 Year Warranty with Labor

## LEGACY PART NUMBER EXAMPLES

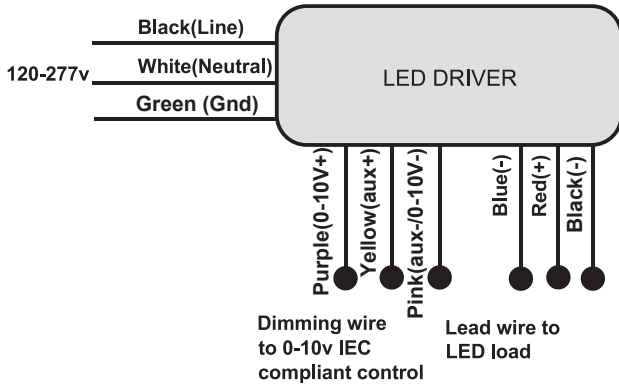
VEKT2X4-8T (25W/30W/34W) SRB TAA

VEKT2X2-8XX (20W/25W/30W)

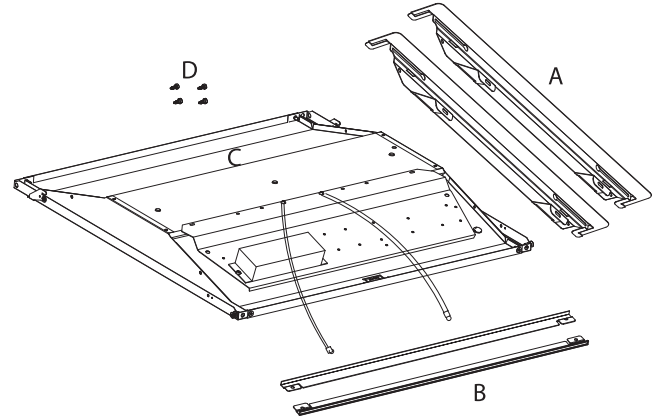


\*Not all configurations are DLC listed. Consult factory or DLC's QPL (Qualified Product List) for more info.

**WIRING DIAGRAM**



**KIT INCLUDES**



- A: End Plates 2pcs
- B: Side Plates 2pcs
- C: Door Assembly body 1pc
- D: Self-tapping screws 4pcs

**WATTAGE AND CCT SELECTABLE VERSIONS**

