



EMERGENCY POWER CONTROL



SENSORWORX®

OVERVIEW

The **SENSORWORX** Emergency Power Control device provides a simple method of converting standard light fixtures into emergency light fixtures for a UL924 compliant emergency application. The **SWX-EPC-A-2** family ensures compliance with both life safety and energy codes and eliminates the wasted energy that is used when emergency lighting is kept on 24 hours a day. These devices have both ears and a chase nipple, allowing them to be mounted in a variety of places as needed.

BASIC OPERATION

All lighting fixtures (both normal and emergency) are controlled on and off (and/or dimmed) together during normal power operation by common lighting control devices (i.e. switches, dimmers, occupancy sensors, daylight harvesting photocells, relay panels, etc.). However, during a utility power interruption, the **SWX-EPC-A-2** will automatically bypasses the controls and override to on all the fixtures designated for emergency operation. With the dimming option, the unit can also ensure that controlled emergency lighting is returned to its full bright level.

The **SWX-EPC-A-2** family also has a patented automatic diagnostic feature. When a room's switch is turned off, the **SWX-EPC-A-2** will run a 2.5 second self-test routine, verifying that the emergency power source is available and that the unit and connected fixtures are all functioning correctly. This feature eliminates the need for time-consuming and costly manual monthly testing and is approved for this purpose. This also allows the unit to be installed in remote or inaccessible locations, because the diagnostic feature does not rely on access to its manual test switch.

FEATURES

- Patented Automatic Diagnostics
- Mounting via ears or a 1/2 chase nipple
- Easy Front Access to Manual Test Switch
- Integrates with Fire Alarm Systems for Override
- Remote Test Configuration
- Utility Power Indicator LED
- 0-10V & DALI Dimming Option

SPECIFICATIONS

ELECTRICAL

SENSING INPUT

120-240VAC/277 VAC

LOAD RATINGS

GENERAL PURPOSE:

16A @ 120-277VAC

LED DRIVER/ELECTRONIC BALLAST LOAD:

16A @ 120-277VAC

MAGNETIC BALLAST:

5A @ 120-277VAC

INCANDESCENT LOAD:

1800W @ 120VAC

3000W @ 277VAC

RELAY TYPE

Normally Closed

DIMMING

0-10 VDC ballasts or drivers compliant with IEC 60929 Annex E.2)

ENVIRONMENTAL

OPERATING TEMP

32°F to 140°F (0°C to 60°C)

PHYSICAL

SIZE

2.15"H x 1.63"W x 1.38"D without ears/nipple
(5.46 x 4.14 x 3.51 cm)

MOUNTING

Surface Mounts Using Ears

1/2 Knockout

Suitable for Installation in Plenum

LED INDICATOR

Green: Utility Power Present

MANUAL TEST BUTTON



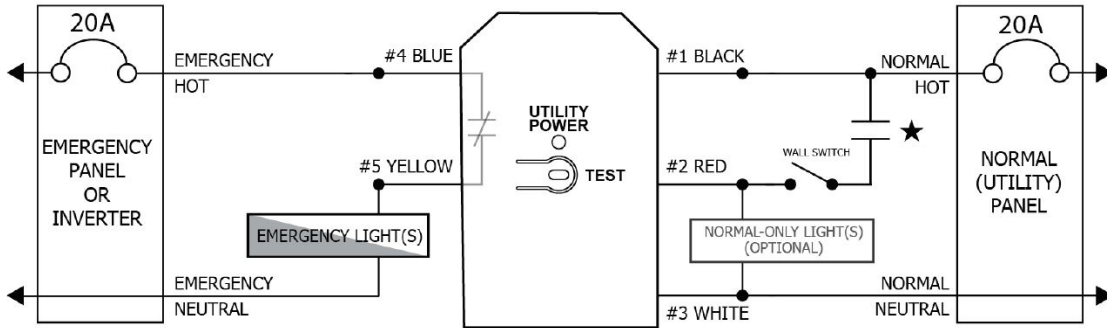
ORDERING INFO

MODEL #	DESCRIPTION
SWX-EPC-A-2	Emergency Power Control - Ears/Chase Nipple Mount
SWX-EPC-A-2-D	Emergency Power Control w/ Dimming - Ears/Chase Nipple Mount

BASIC WIRING

MODEL #: SWX-EPC-A-2 (Standard Configuration)

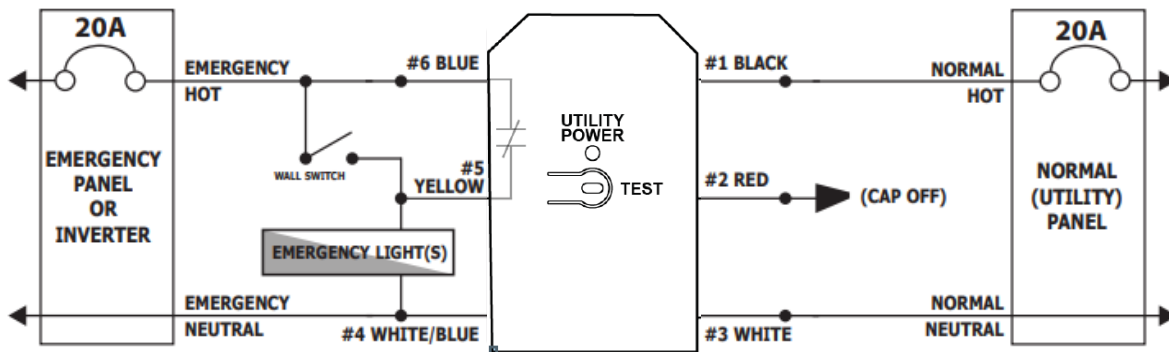
A common switch controls both normal and emergency lighting in a space. Upon loss of normal power, the emergency lighting comes on regardless of switch position.



★ Optional normally open occupancy sensor/power pack/relay panel.

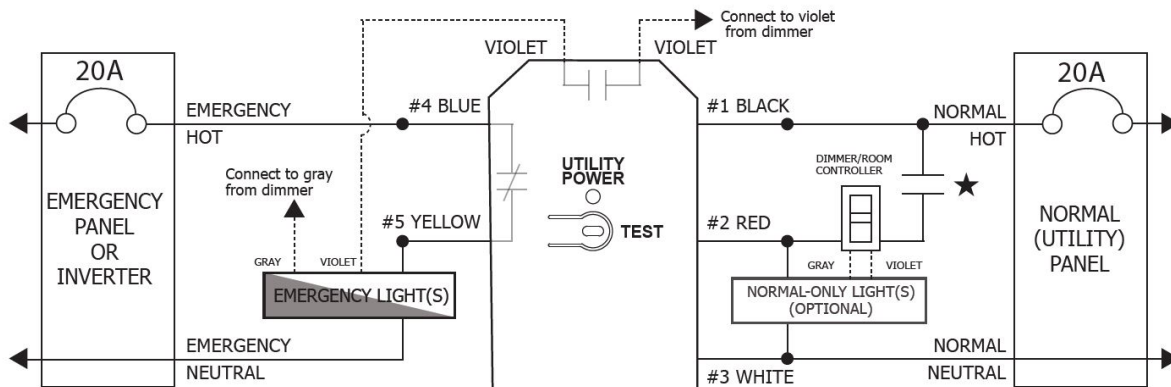
MODEL #: SWX-EPC-A-2 (Shunt Configuration)

A dedicated switch controls emergency lighting in a space. Upon loss of normal power, the emergency lighting comes on regardless of switch position.



MODEL #: SWX-EPC-A-2-D

A common dimmer controls both normal and emergency lighting in a space. Upon loss of normal power, the emergency lighting comes on to full bright regardless of dimmer position.



Contact factory for fire alarm override wiring detail.

★ Optional normally open occupancy sensor/power pack/relay panel.

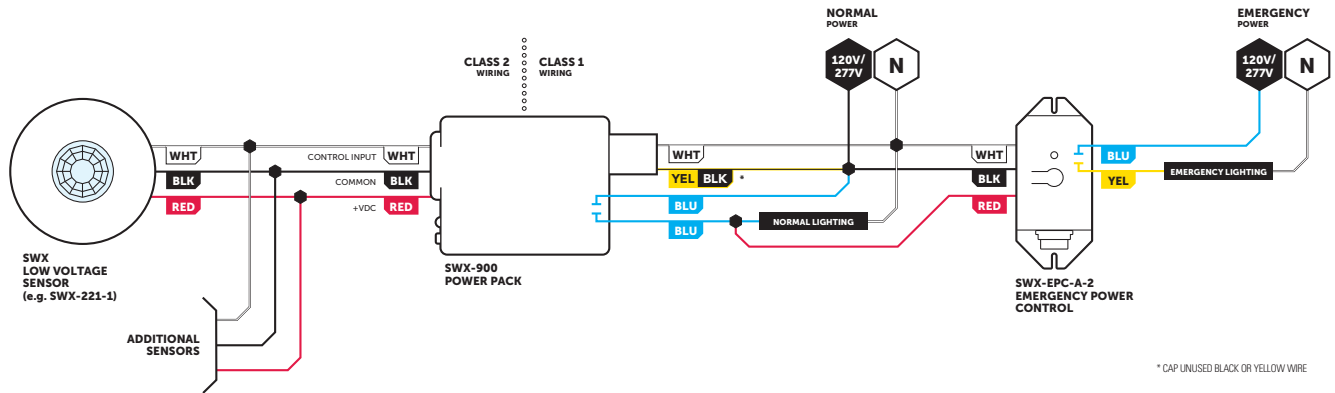
FIRE ALARM / REMOTE TEST SWITCH WIRING

The unit's red low voltage jumper wire is an override input to connect in a fire alarm or remote test switch.

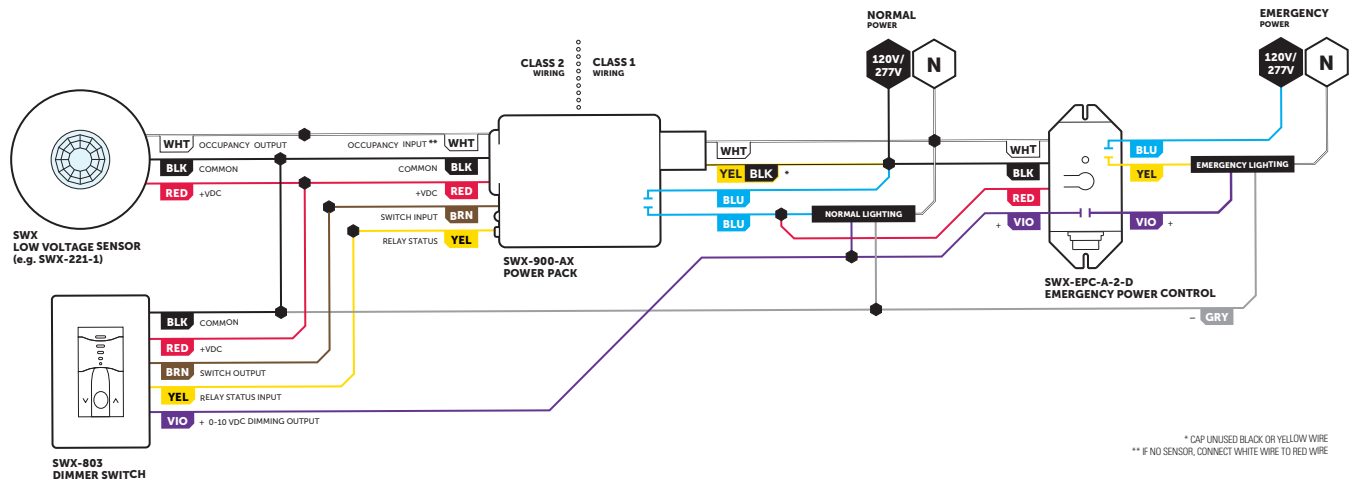
For more information visit <http://www.lvscontrols.com/assets/UL924FAI.pdf>.

WIRING WITH **SENSORWORX** CONTROLS

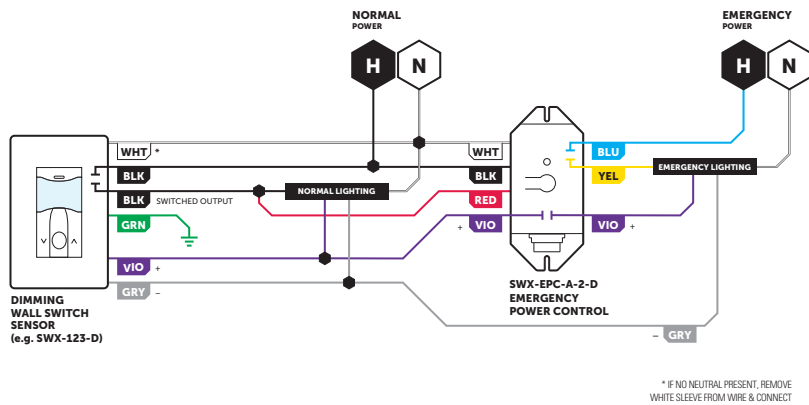
EXAMPLE 1: WIRING WITH LOW VOLTAGE SENSORS & POWER PACK



EXAMPLE 2: WIRING WITH LOW VOLTAGE SENSOR, POWER PACK, & DIMMER

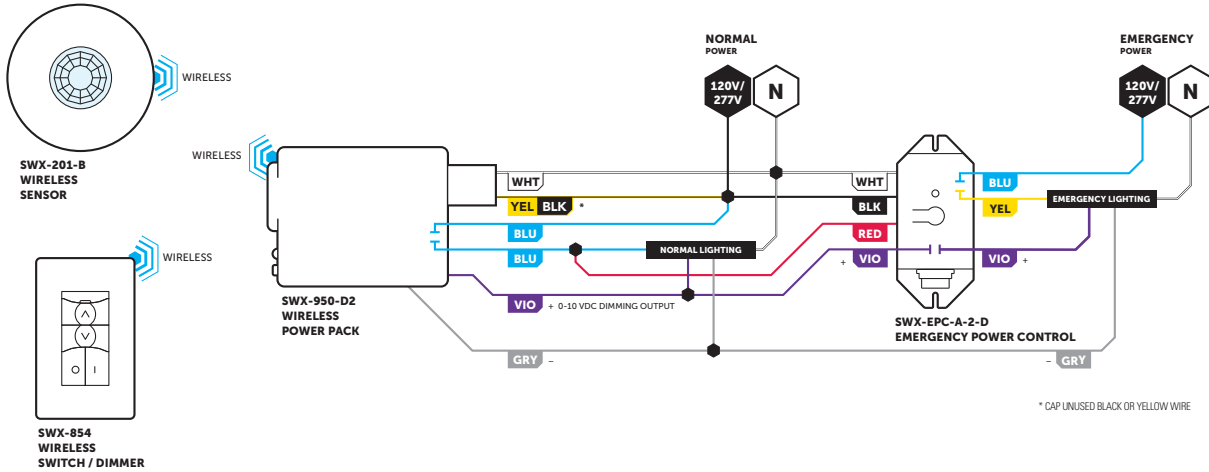


EXAMPLE 3: WIRING WITH DIMMING WALL SWITCH SENSOR



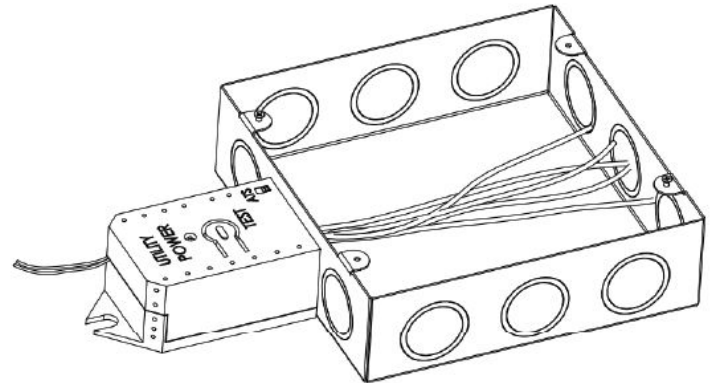
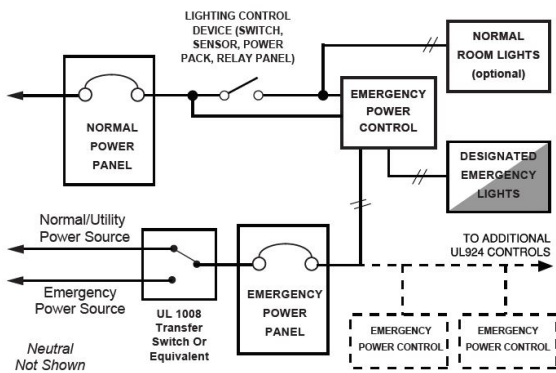
WIRING WITH **SENSORWORX** CONTROLS (CONT.)

EXAMPLE 4: WIRING WITH WIRELESS POWER PACK



SINGLE LINE DRAWING

INSTALLATION



FREQUENTLY ASKED QUESTIONS

DO I NEED A SEPARATE NORMAL AND EMERGENCY BALLAST/DRIVER?

NO, the emergency light only needs a single ballast/driver. The Normal-Only light(s) shown are separate light fixtures that you want to control with the same switch, but which do not serve as emergency lighting during a power interruption.

CAN I USE THE SWX-EPC-A-2 WITH 3-WAY SWITCHES?

YES, replace the single pole wall switch above with your 3-way switches.

CAN I USE THE SWX-EPC-A-2 WITH A/B SWITCHING?

YES, but you need a separate **SWX-EPC-A-2** for each switch leg (i.e. 2 **SWX-EPC-A-2** for A/B switching).

ORIGINAL EQUIPMENT MANUFACTURER

LVS, Inc.
 2555 Nicholson Street, San Leandro, CA 94577-4216
 510-352-9600 | 1-800-982-4587 | Fax: 510-352-6707
www.lvscontrols.com



ORIGINAL EQUIPMENT MANUFACTURER

LVS, Inc.

2555 Nicholson Street, San Leandro, CA 94577-4216
510-352-9600 | 1-800-982-4587 | Fax: 510-352-6707
www.lvscontrols.com