

# LRD SERIES RESIDENTIAL LIGHTING

LRD-10W-MCT5-3WTR  
3" LED ARCHITECTURAL WINGED OPEN RECESSED LIGHTS  
MCT Multi Color Temperature (Selectable)

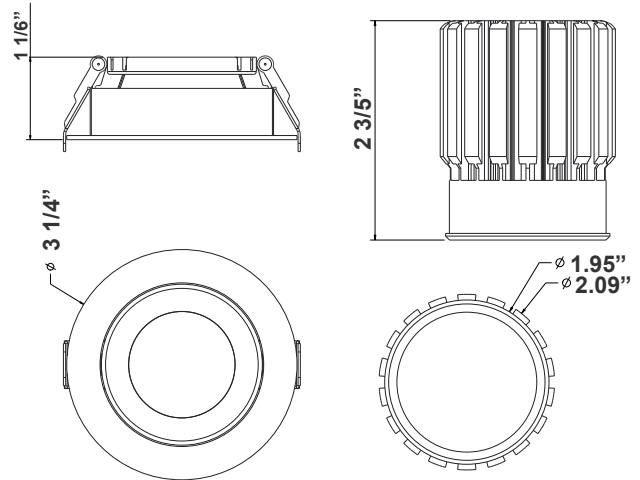
**WESTGATE**  
THE FUTURE IS HERE...AND IT'S QUITE BRIGHT!



Customer Name: \_\_\_\_\_

Project Name: \_\_\_\_\_

Note: \_\_\_\_\_ | Type: \_\_\_\_\_



3 3/4"(H) X 3 1/4"(D)  
Box Dimensions:  
5-1/4" x 1-5/8" x 1-1/8"  
Junction Area Dimensions:  
2-1/16" x 1-5/8" x 1-1/8"

Ideal for New as well as old residential and commercial constructions.

## Features

- 3" (2-1/8" Actual) LED Winded Recessed Trim
- Die-Cast Aluminum With White Powder Coat Finish
- 5-Year Warranty
- Junction Box Included With Fixture

## Technical Specifications

### Electrical:

- Voltage: 120VAC
- Wattage: 10W
- Power Factor: >0.90
- Efficacy: Up to 70 LM/W

### Mechanical:

- Up to 9 AWG18 Wires
- Die-Cast Aluminum With White Powder Coat Finish
- Clear Glass Lens
- Junction Box Rated Up to 9 AWG18 Wires
- Type IC rated: Approved for Direct Contact With Insulation
- Operating Temperature: 104°F
- Lifespan: 50,000 Hrs.
- Air-Tight and Type IC Rated: No Housing Required
- Damp Location Approved

### Lighting:

- Multi CCT (Selectable Switch on the Back of The Driver)
- Dimming: Dimmable Down to 10% Using Standard TRIAC LED Dimmer
- Total lumens: 700LM
- Color Temperature: 2700K/3000K/3500K/4000K/5000K
- Color Rendering Index: >90
- Beam Angle: 24°

### Applications:

- Ideal for New as well as old residential and commercial constructions.

### Other Models:

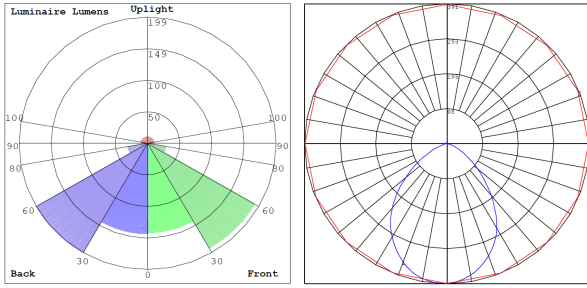
- 7W | 490LM | LRD-7W-MCT5-3WTR-MG/WH/ABK/BK/C/HZ



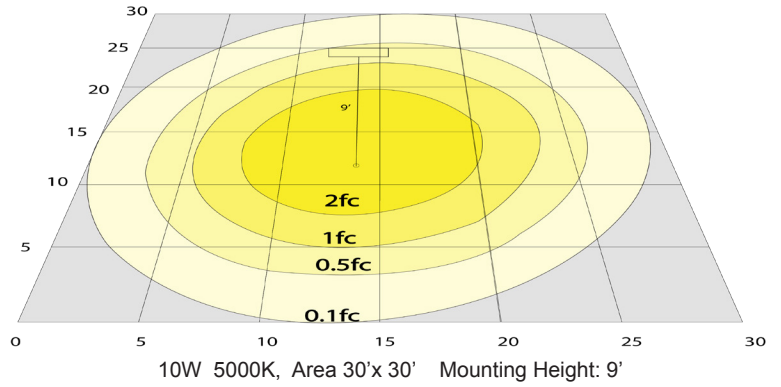
Phone: (877) 805-2252 | Fax: (877) 805-2252  
www.westgatemfg.com



**Photometrics:** LRD-10W-MCT5-3WTR



BUG Rating: B1-U2-G0



**Other Views:**



LRD-WTR3-MG



LRD-EGN-10W-MCT5-D



LRD-10W-MCT4-3WTR-MG



LRD-WTR3-WH



LRD-EGN-10W-MCT5-D



LRD-10W-MCT5-3WTR-WH



LRD-WTR3-ABK



LRD-EGN-10W-MCT5-D



LRD-10W-MCT5-3WTR-ABK



LRD-WTR3-BK



LRD-EGN-10W-MCT5-D



LRD-10W-MCT5-3WTR-BK





LRD-WTR3-C



LRD-EGN-10W-MCT5-D



LRD-10W-MCT5-3WTR-C



LRD-WTR3-HZ



LRD-EGN-10W-MCT5-D



LRD-10W-MCT5-3WTR-HZ

**Performance Table:** LRD-10W-MCT5-3WTR

MODEL NO.	Wattage	Voltage	Lumens	Color Temp.	BUG Rating	LPW
LRD-10W-MCT5-3WTR	10W	120V	700LM	2700K	B1-U2-G0	70
				3000K		
				3500K		
				4000K		
				5000K		

**Accessory:**

Blank = No Option For Accessories  
LRD-FGL = LRD SERES FROSTED GUASS LENS

**Accessory:**



LRD-FGL

**Sample Ordering**

Model	Wattage	Color Temp.	Size	Housing				
LRD	-	10W	-	MCT5	-	3WTR	-	<input type="text"/>

MG = MATTE GOLD  
WH = WHITE  
ABK = BLACK ON BLACK  
BK = BLACK  
C = CLEAR  
HZ = MATTE SILVER

